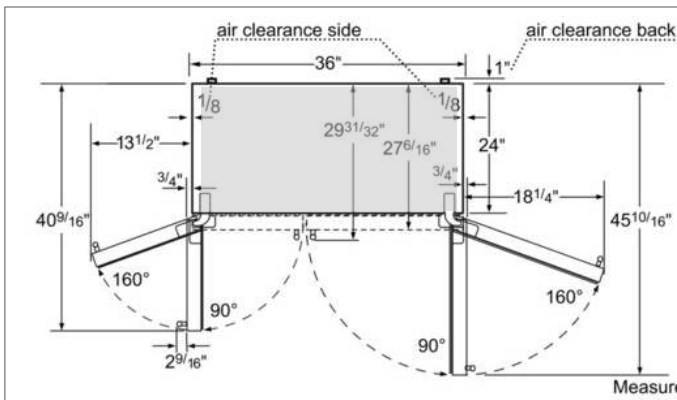




Savvy Refrigerator Buying Checklist

Refrigerator Capacity (cu ft) Ranges According to Style

Style	0-5	5-10	10-15	15-20	20-25	25-30	30-35
French Door							
Side-by-Side							
Bottom Freezer							
Top Freezer							
Refrigerator Drawer							
Compact / Mini							



Refrigerator Clearances

- **Width** + side clearance for ventilation
- **Height** + top clearance for ventilation
- **Depth** + 1 in clearance behind for ventilation
 - **Standard depth** extends 5 to 6 ins past front of cabinets
 - **Counter depth** extends past counter fronts for door swing
- Must also consider appliances (open) on island opposite refrigerator

	@ Home	Choice #1	Choice #2	Choice #3
Brand & Model				
Style				
Capacity (cu ft)				
Annual kWh				
kWh per cu ft				
Width				
Height				
Depth / Door Open				
Energy Star				
Repair History				
Features You Want				
Cost + Delivery				
Cost per cu ft				



Connect with other Smart, Savvy Women

- [Homeowner Library & Homeowner Glossary](#)
- [Facebook.com/HomeTips4Women](#)
- [Pinterest.com/hometips4women](#)



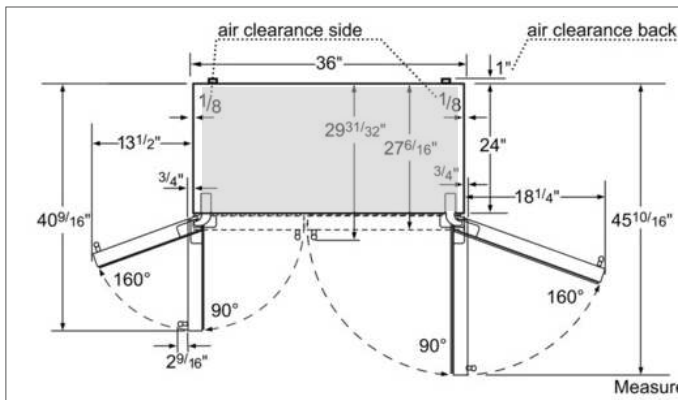
Home Tips
FOR
WOMEN™



Savvy Refrigerator Buying Checklist

Refrigerator Capacity (cu ft) Ranges According to Style

Style	0-5	5-10	10-15	15-20	20-25	25-30	30-35
French Door							
Side-by-Side							
Bottom Freezer							
Top Freezer							
Refrigerator Drawer							
Compact / Mini							



Refrigerator Clearances

- **Width** + side clearance for ventilation
- **Height** + top clearance for ventilation
- **Depth** + 1 in clearance behind for ventilation
 - **Standard depth** extends 5 to 6 ins past front of cabinets
 - **Counter depth** extends past counter fronts for door swing
- Must also consider appliances (open) on island opposite refrigerator

	@ Home	Choice #1	Choice #2	Choice #3
Brand & Model		Samsung Counter	LG Counter	LG Standard
Style		French	French	French
Capacity (cu ft)		18 cu ft	24 cu ft	29 cu ft
Annual kWh		679 kWh	683 kWh	738 kWh
kWh per cu ft		38 kWh per cu ft	28.5 kWh per cu ft	25.5 kWh per cu ft
Width		35.75 in	35.75 in	35.75 in
Height		72 in	70.25 in	70.25 in
Depth / Door Open		29 / 42 in	43 in	36 / 48 in
Energy Star		Yes	Yes	Yes
Repair History		Poor	Okay	Okay
Features You Want		Ice/door	Ice/door	Ice/door; 2 nd ice
Cost + Delivery		List \$2,995	\$2,275	\$2,225
Cost per cu ft		\$166 per cu ft	\$95 per cu ft	\$70 cu ft

LG LFXS29626S



Connect with other Smart, Savvy Women

- [Homeowner Library & Homeowner Glossary](#)
- [Facebook.com/HomeTips4Women](#)
- [Pinterest.com/hometips4women](#)

